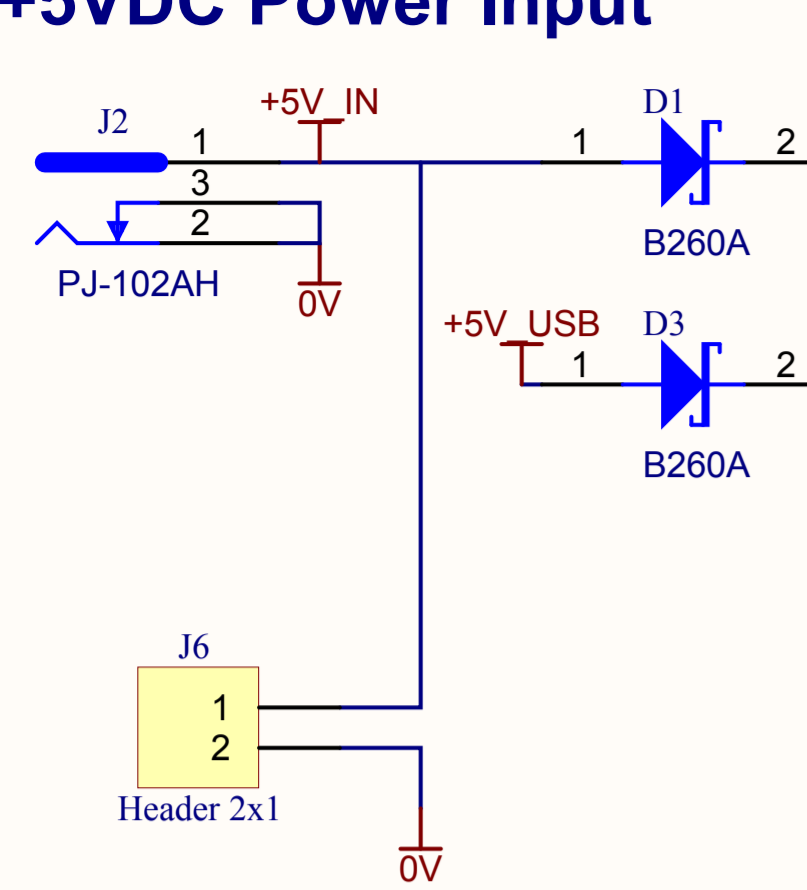
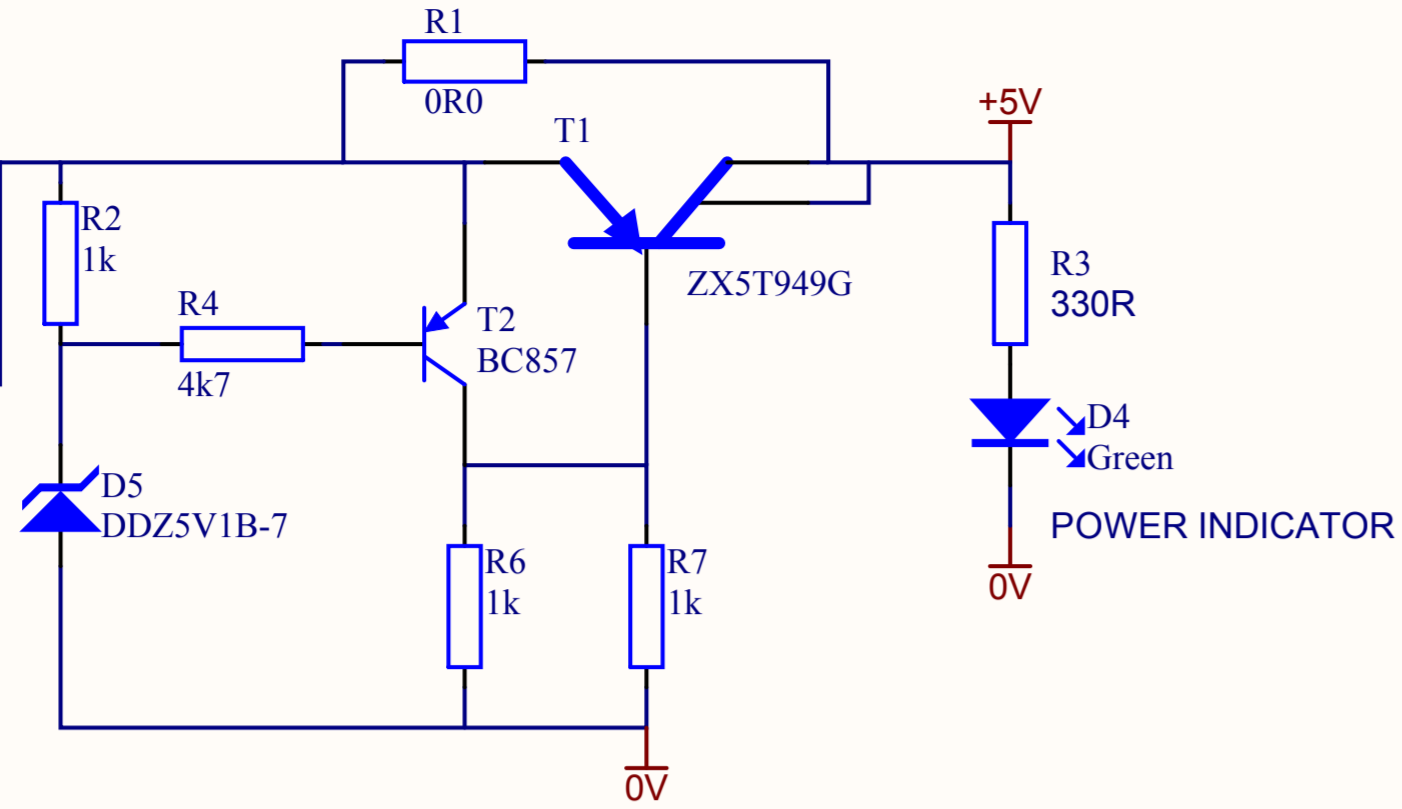


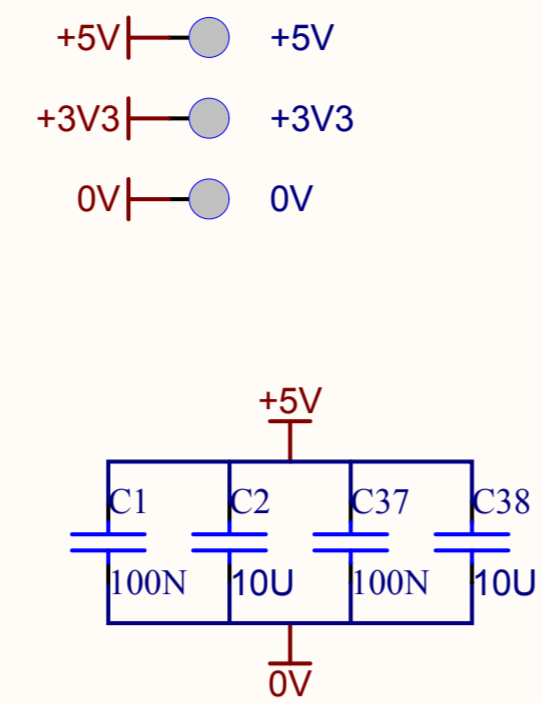
### +5VDC Power Input



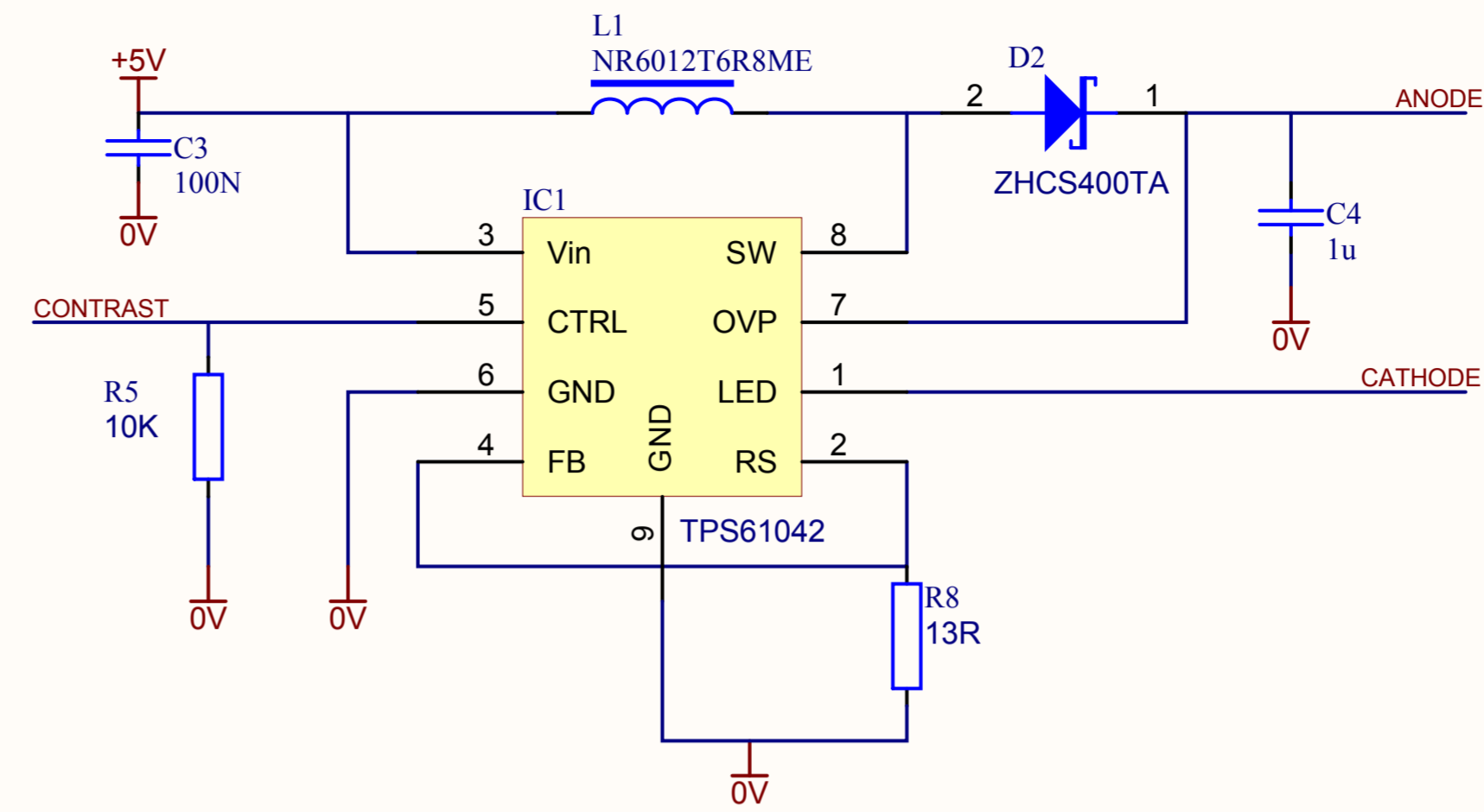
### Over Voltage Protection



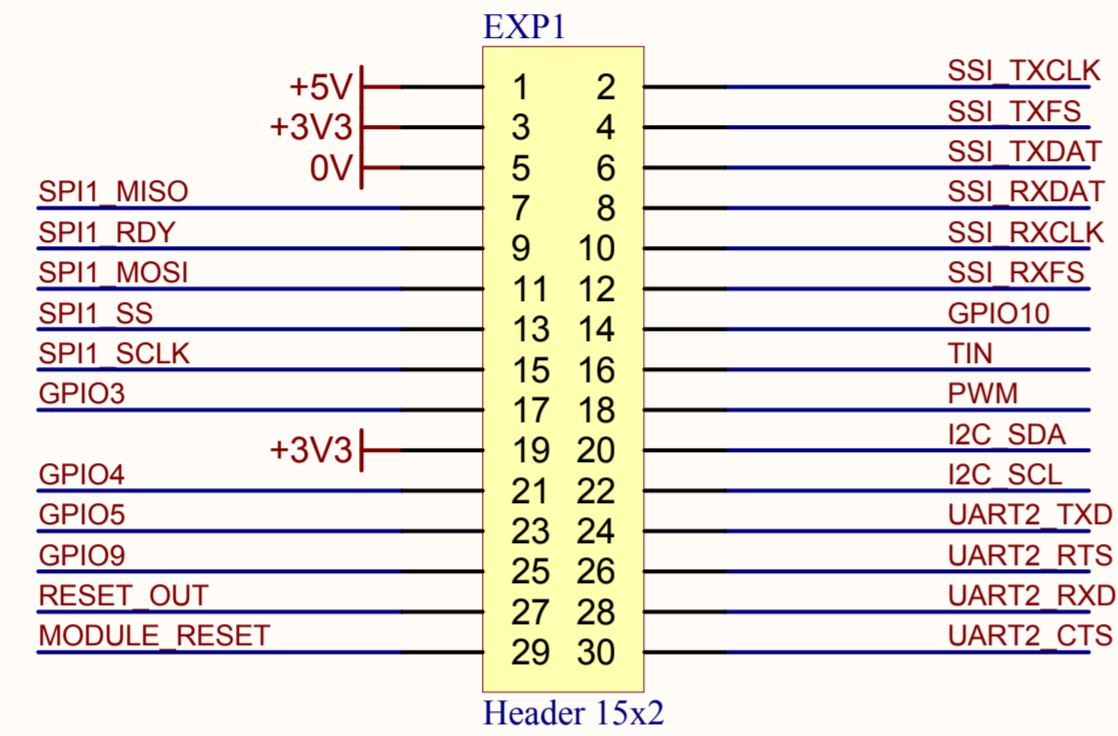
### Test Points



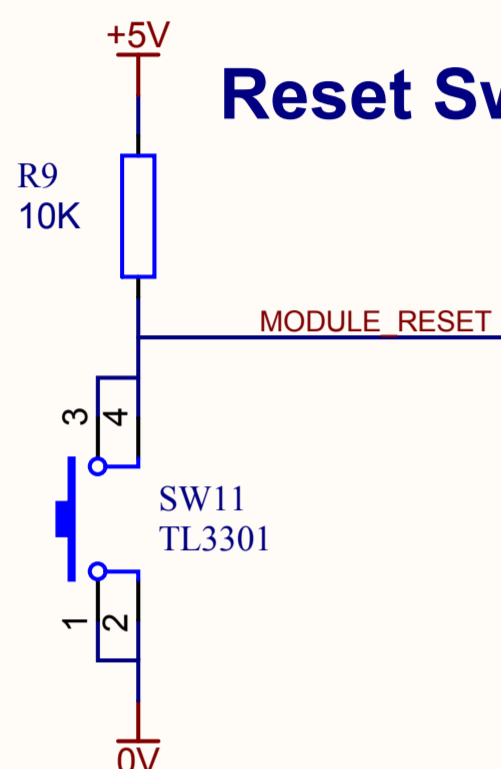
### 6 LED Backlight Driver



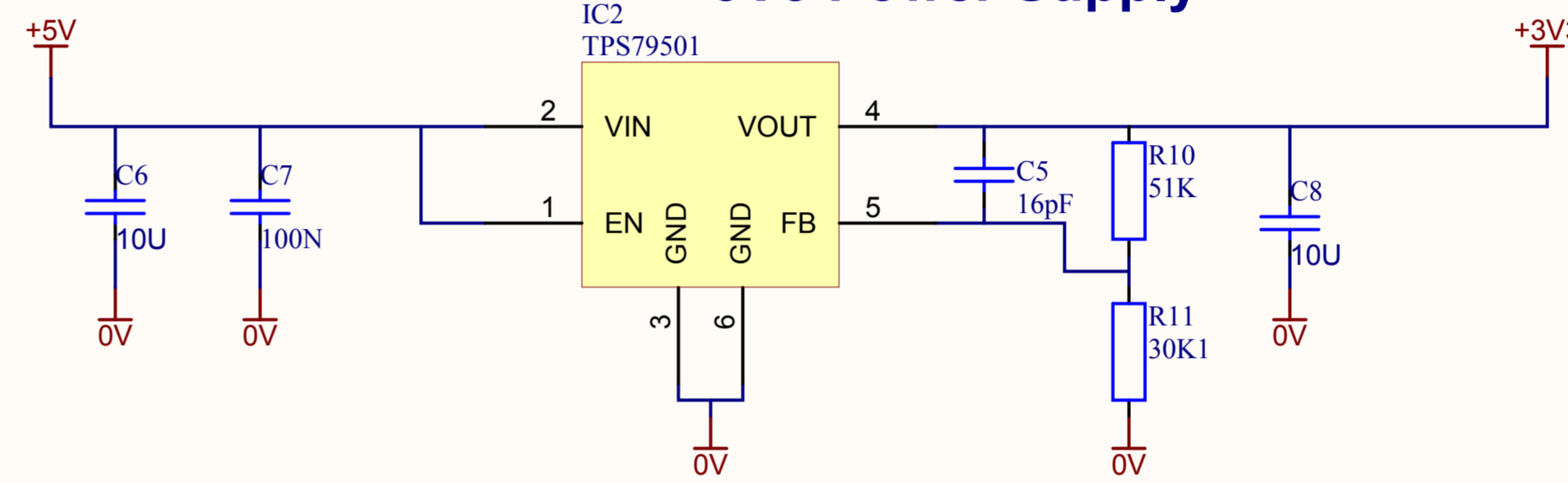
### I/O Expansion Connector 1



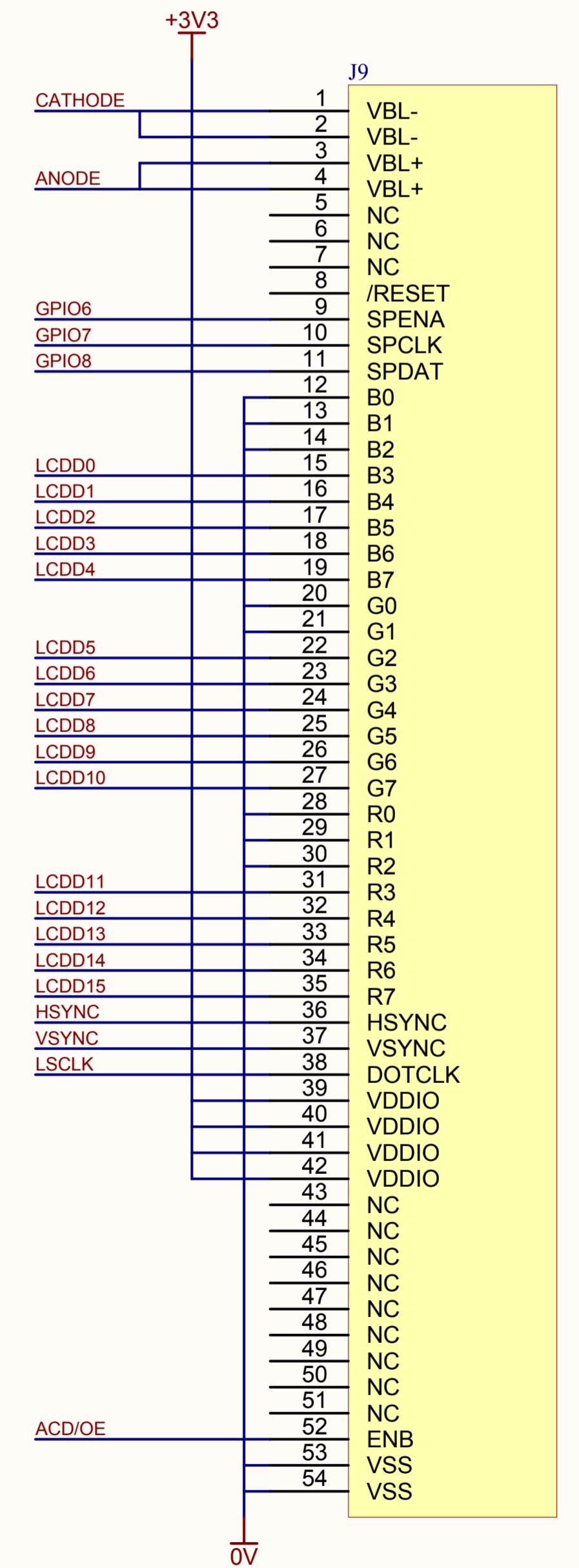
### Reset Switch



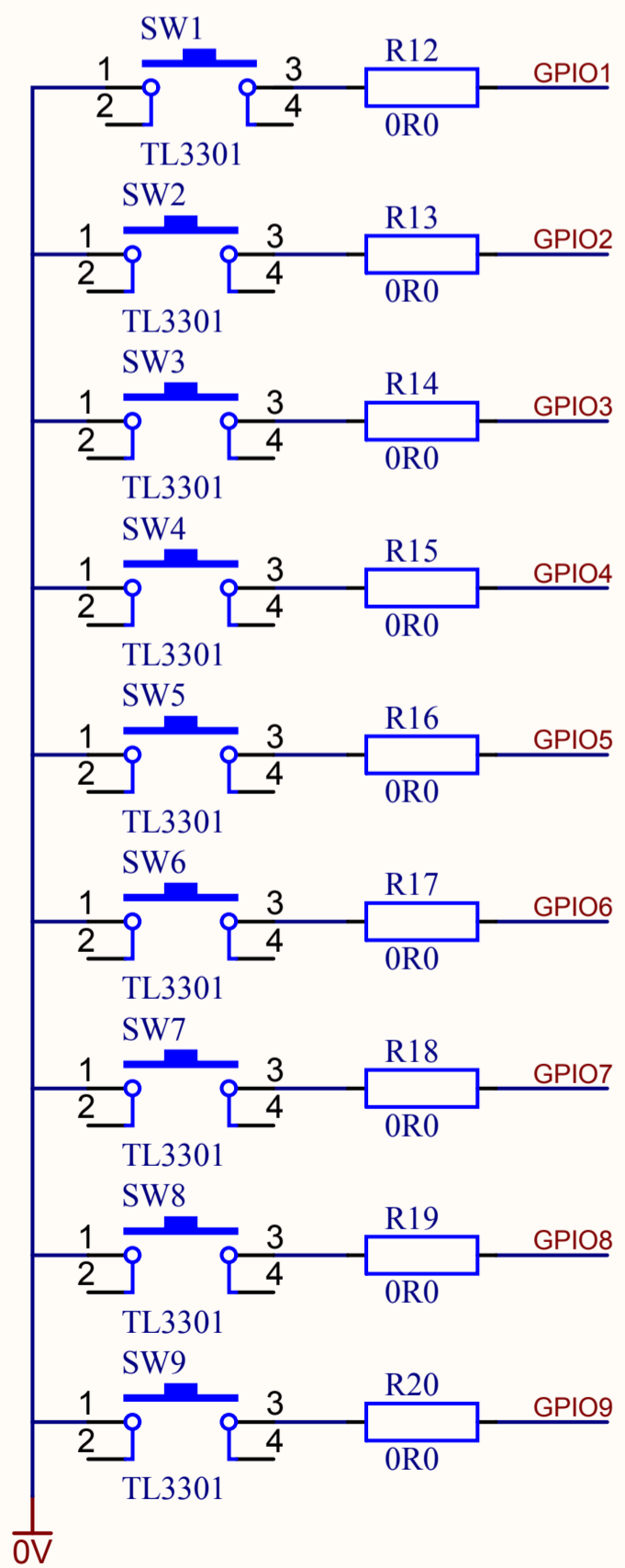
### 3V3 Power Supply



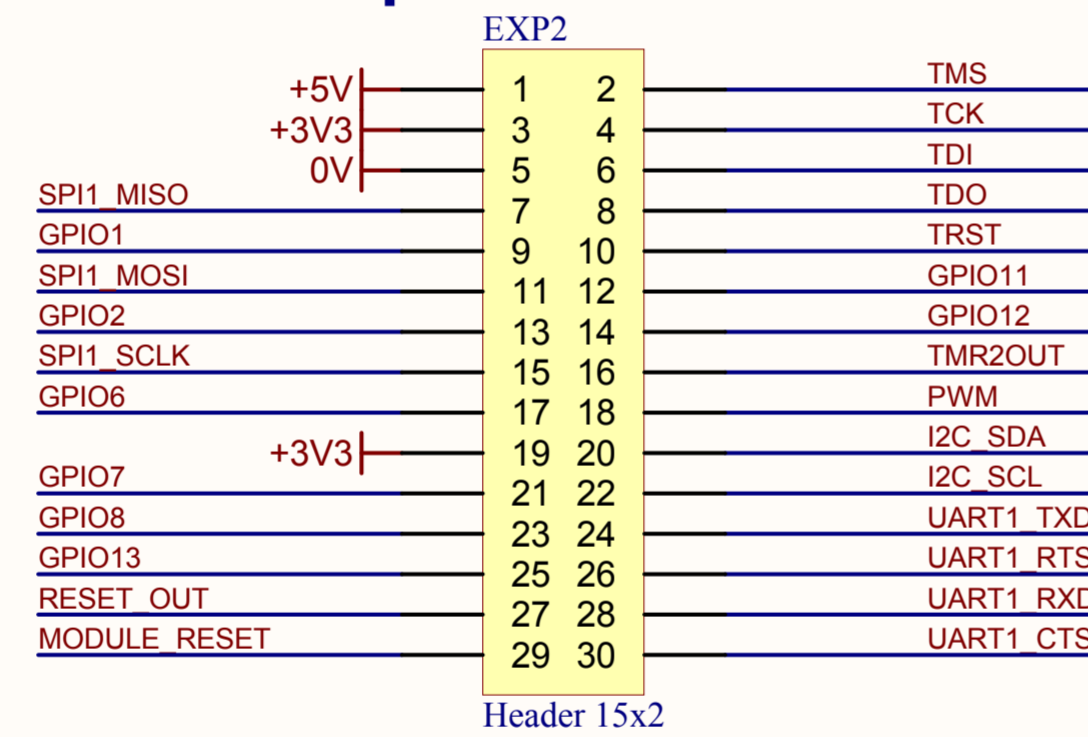
### 3.5" LCD Connector



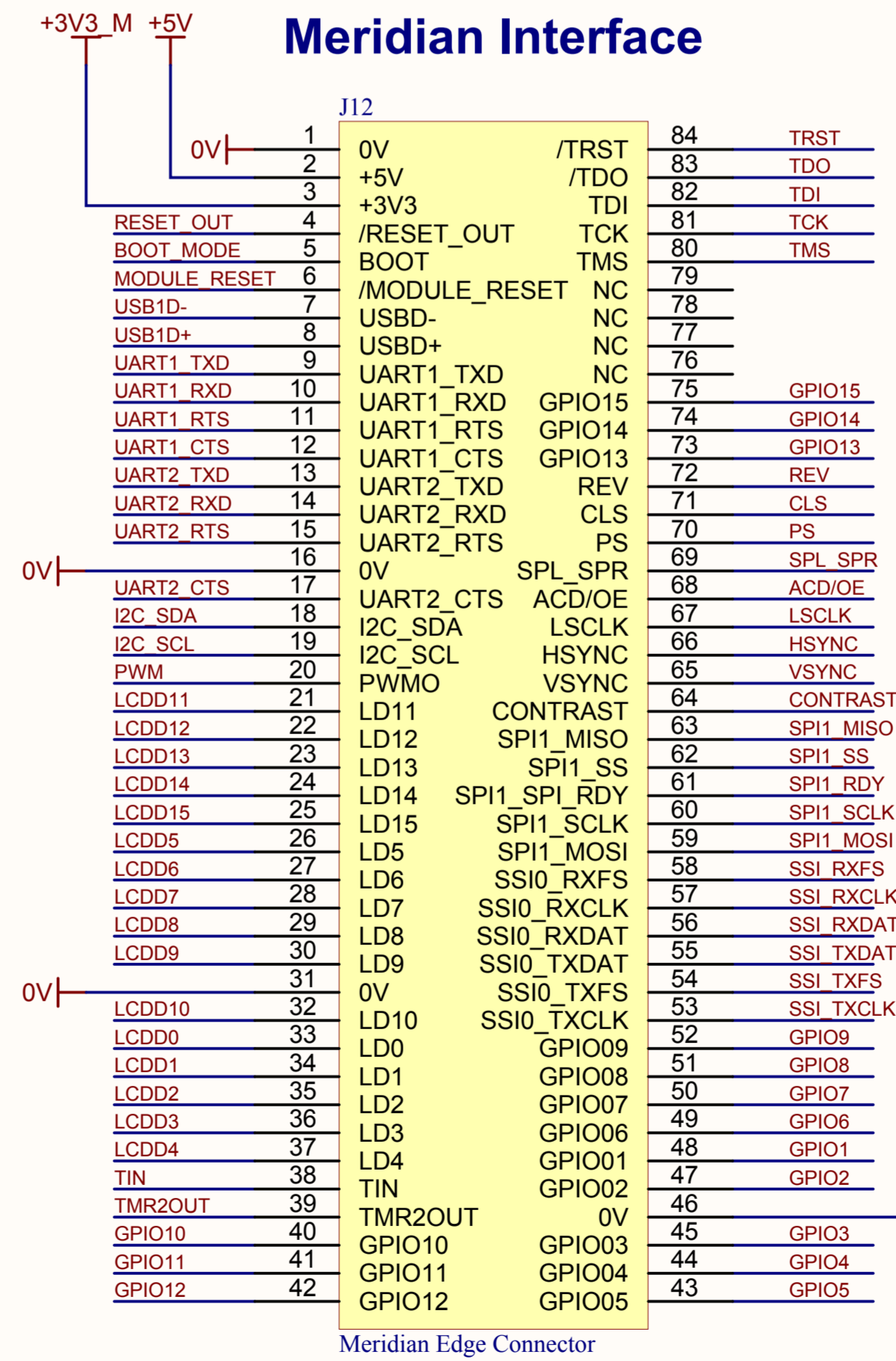
### Push Buttons



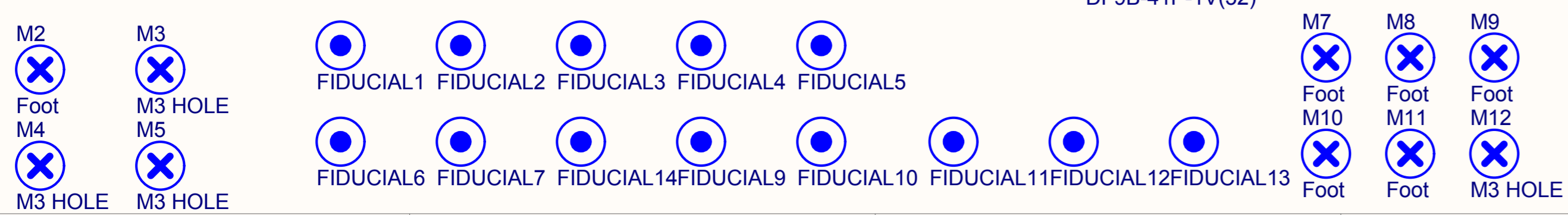
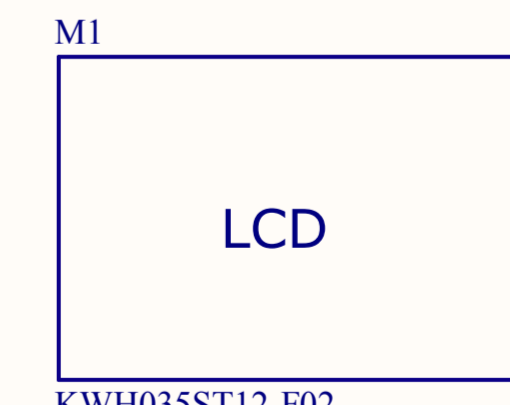
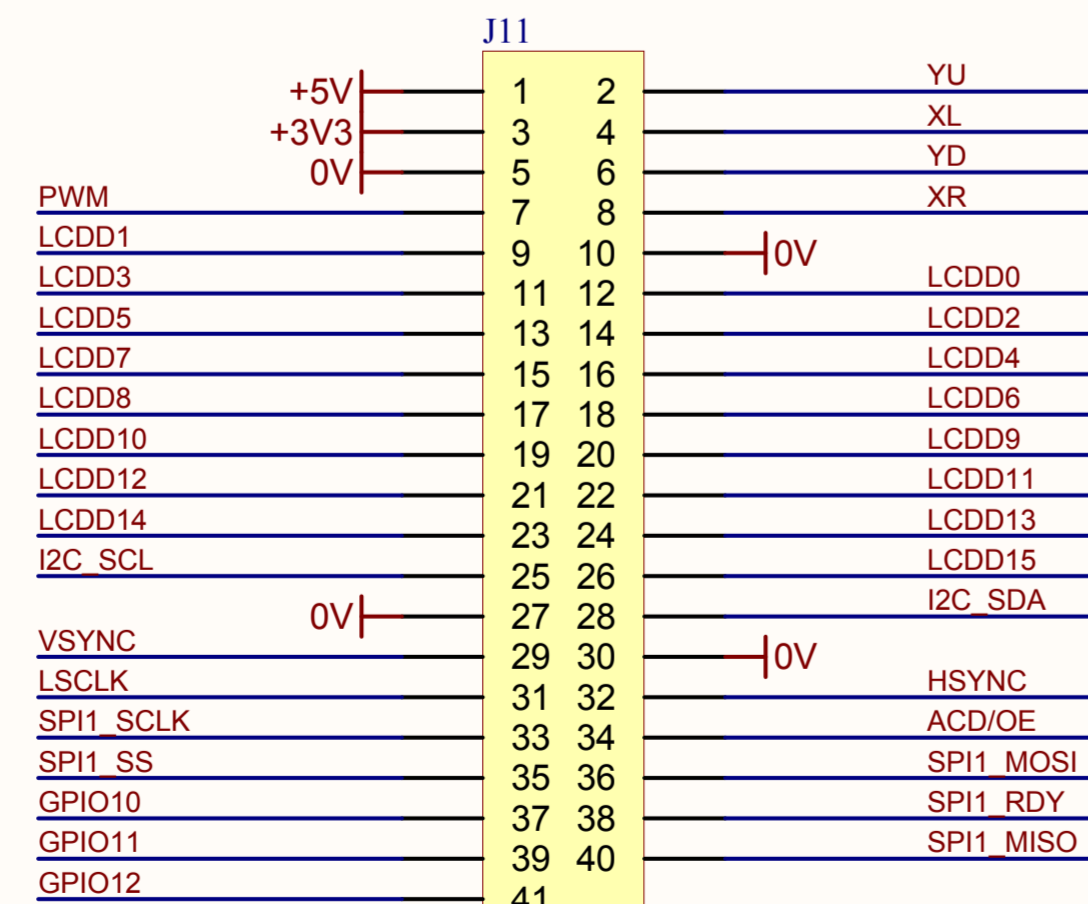
### I/O Expansion Connector 2



### Meridian Interface

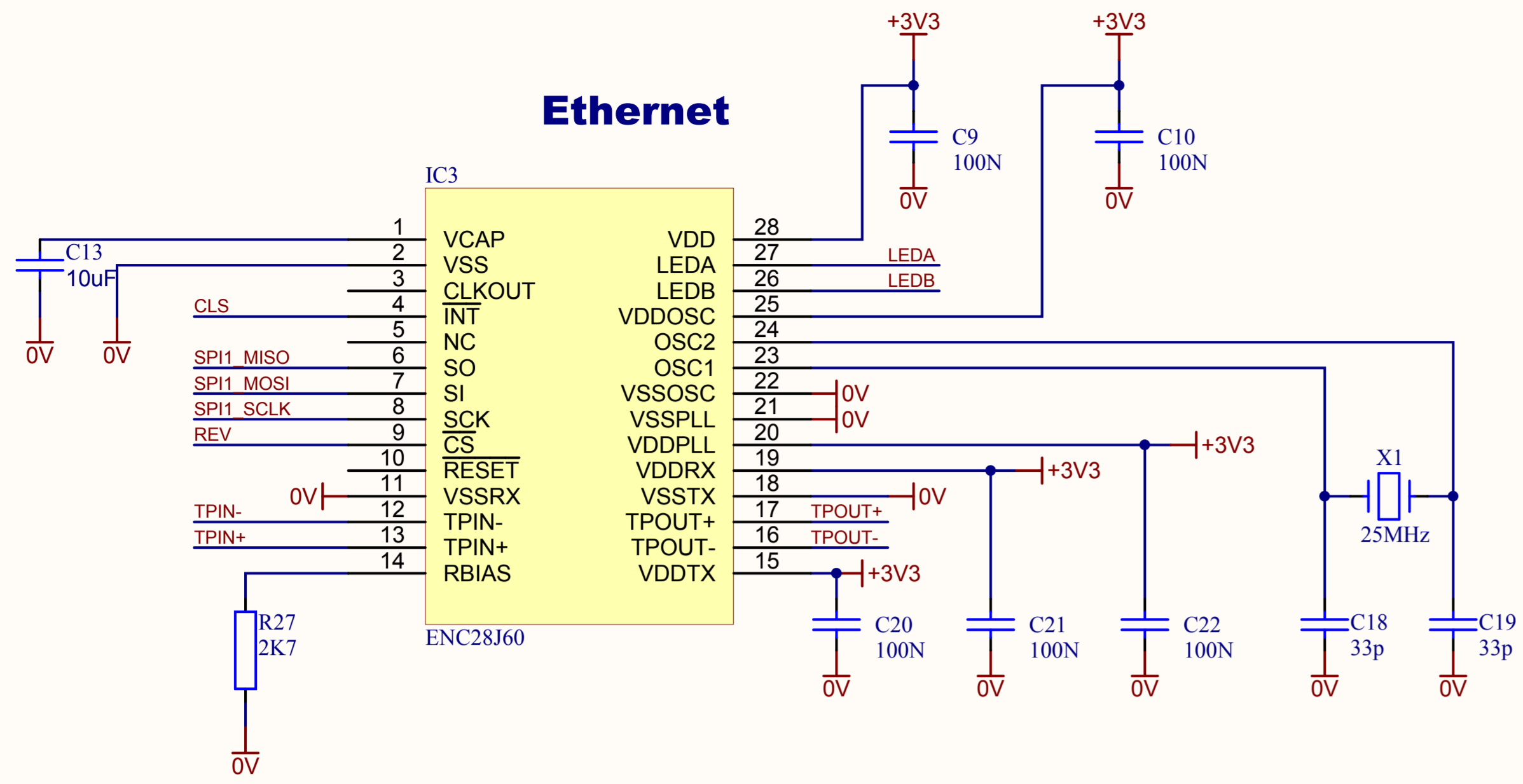


### LCD Expansion Connector

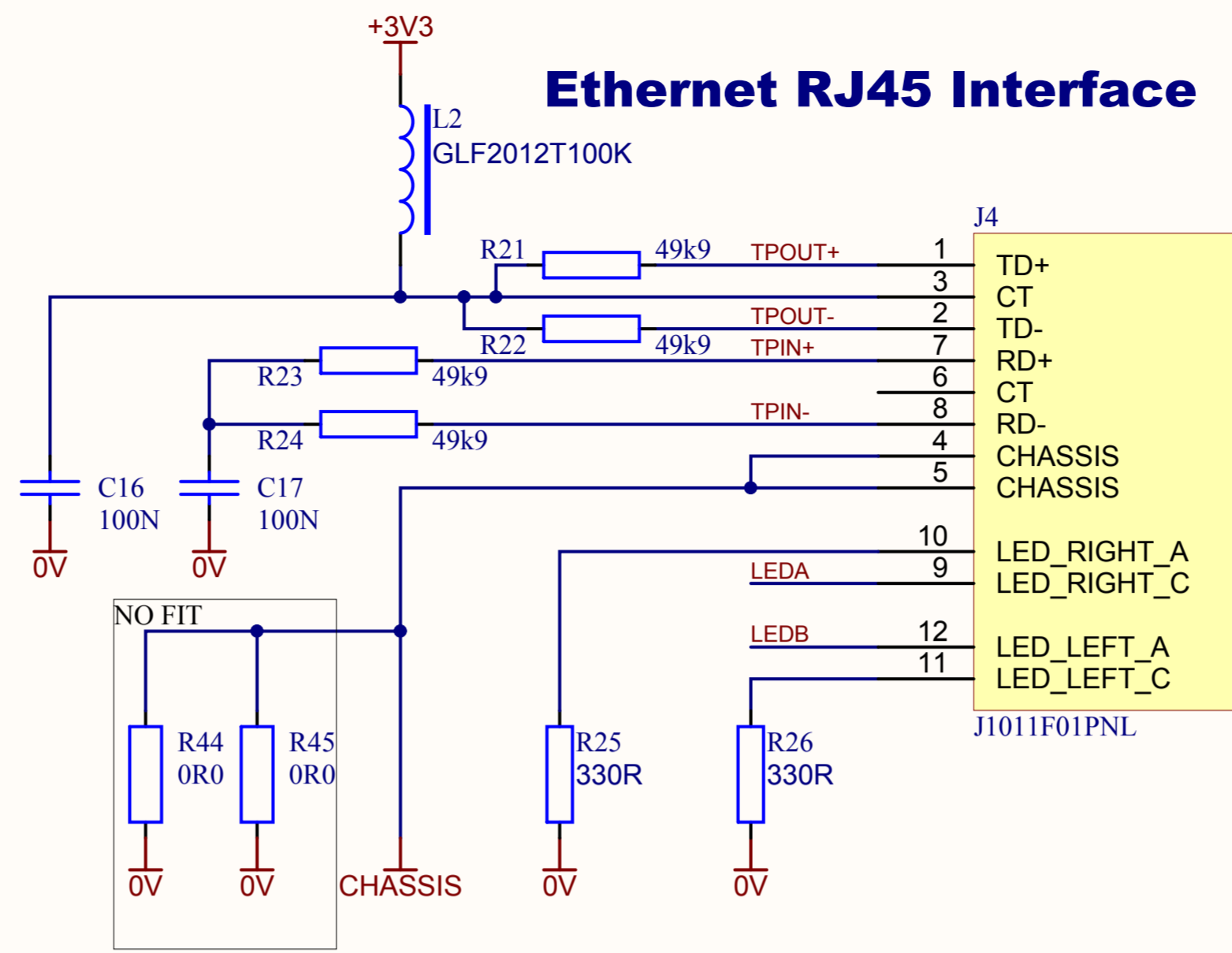


Title <b>Tahoe II</b>		Initial	DeviceSolutions POBox 132-094, Sylvia Park
Num:		Drawn By: LJS Date: 22 July 2008	
Size: A3	Sheet 1 of 2	Revision: 1.2	Auckland, New Zealand www.devicesolutions.net
File: TahoeII_Rev1.2_LCD_PSU.SchDoc		Print Date: 28/04/2009	

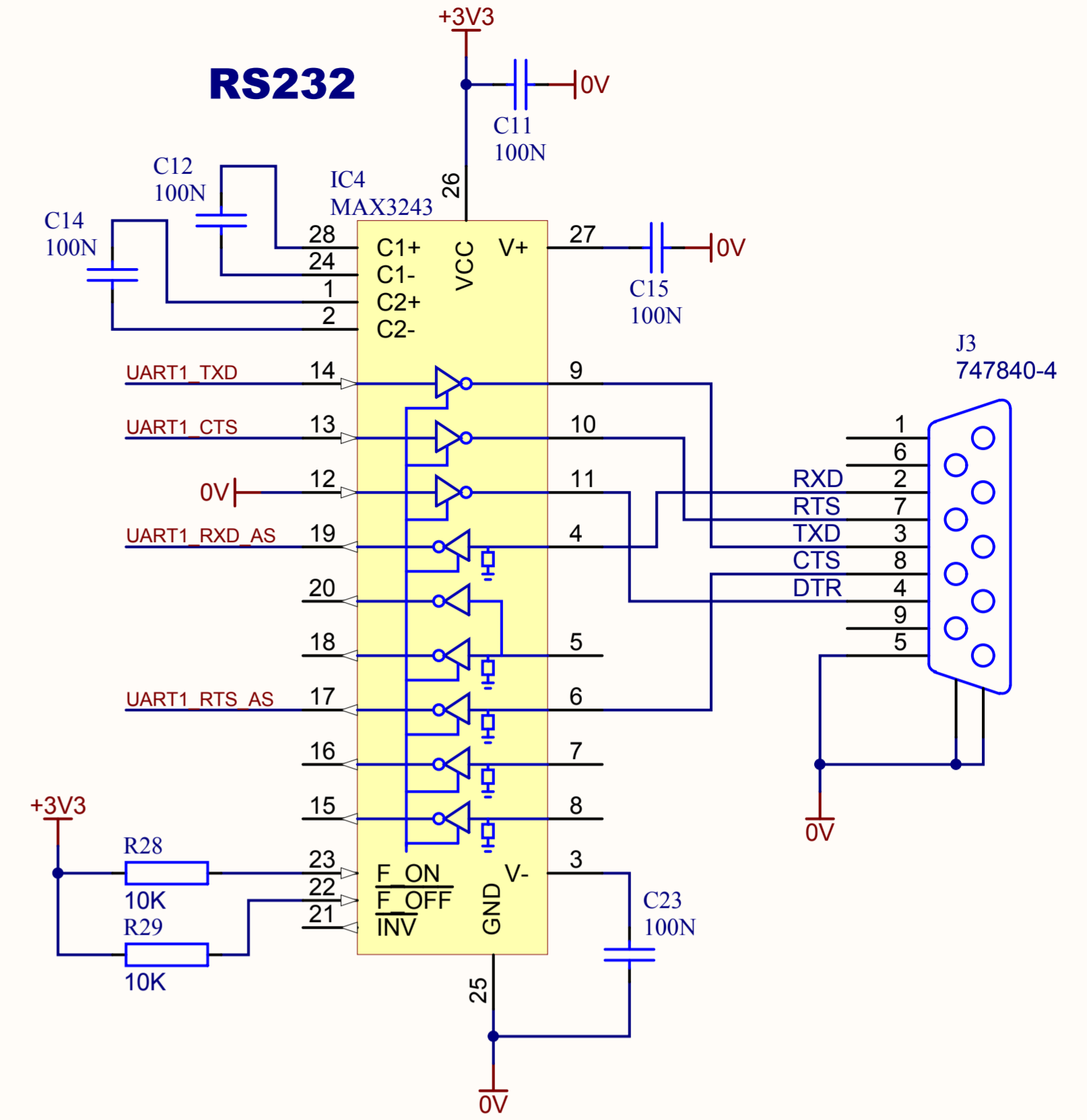
### Ethernet



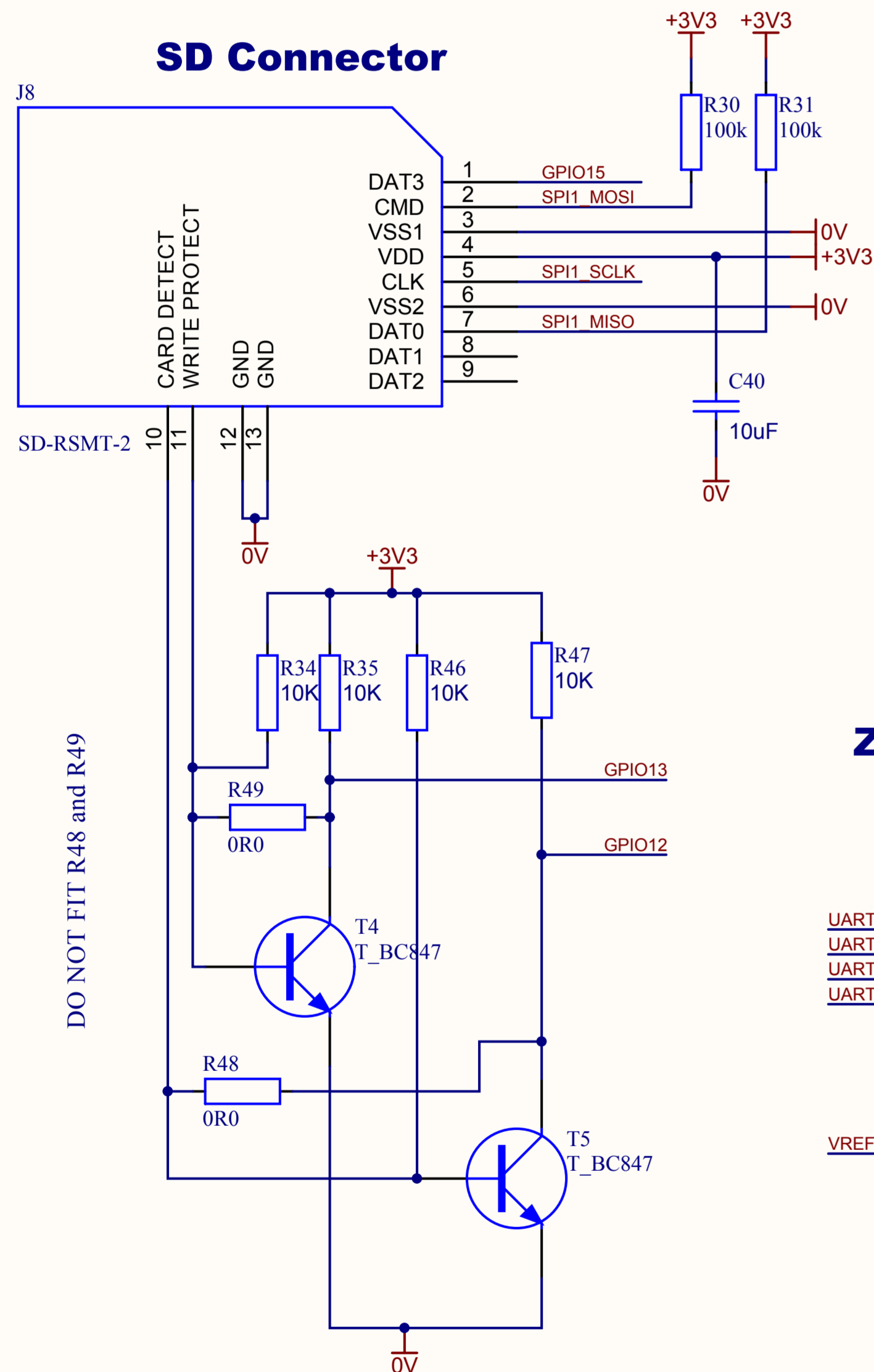
### Ethernet RJ45 Interface



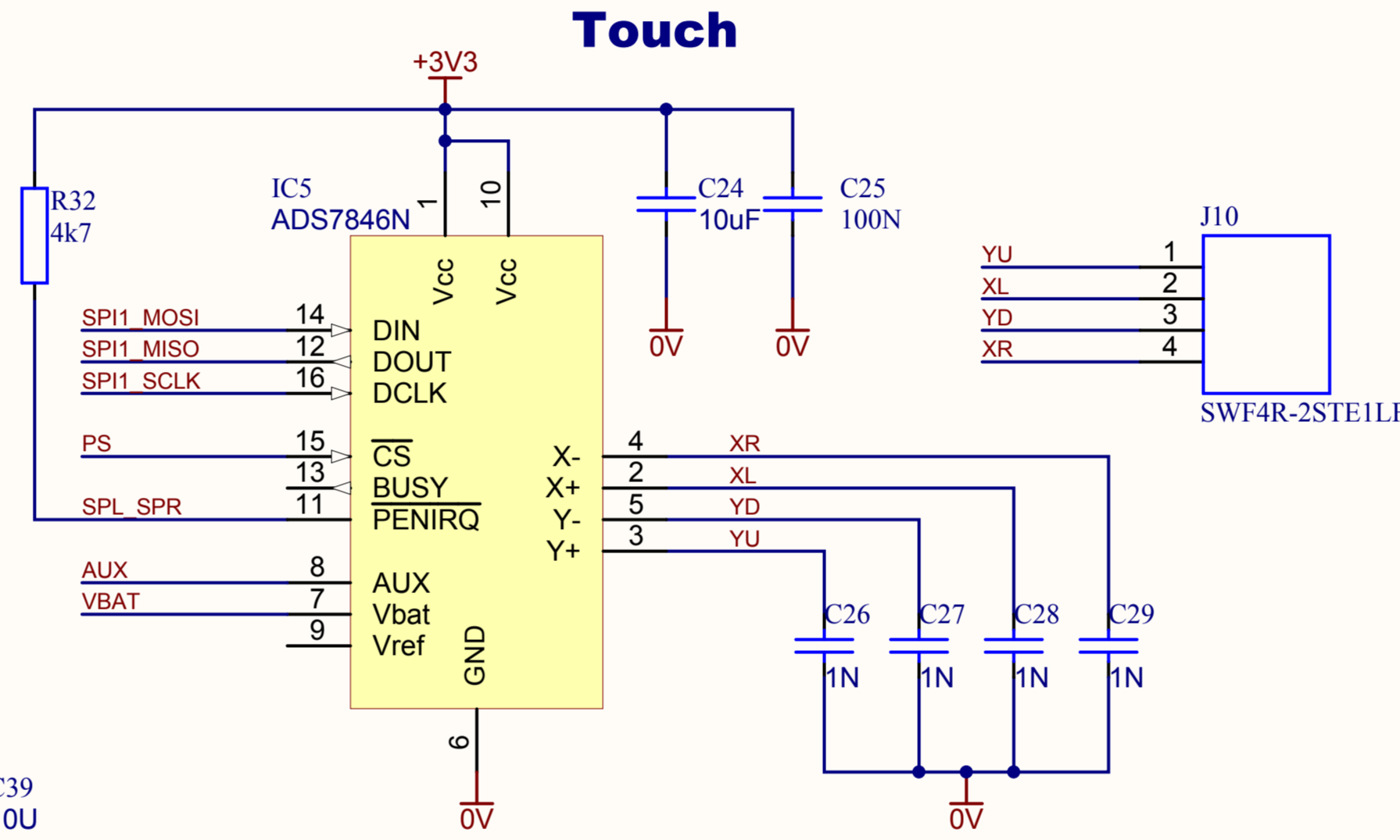
### RS232



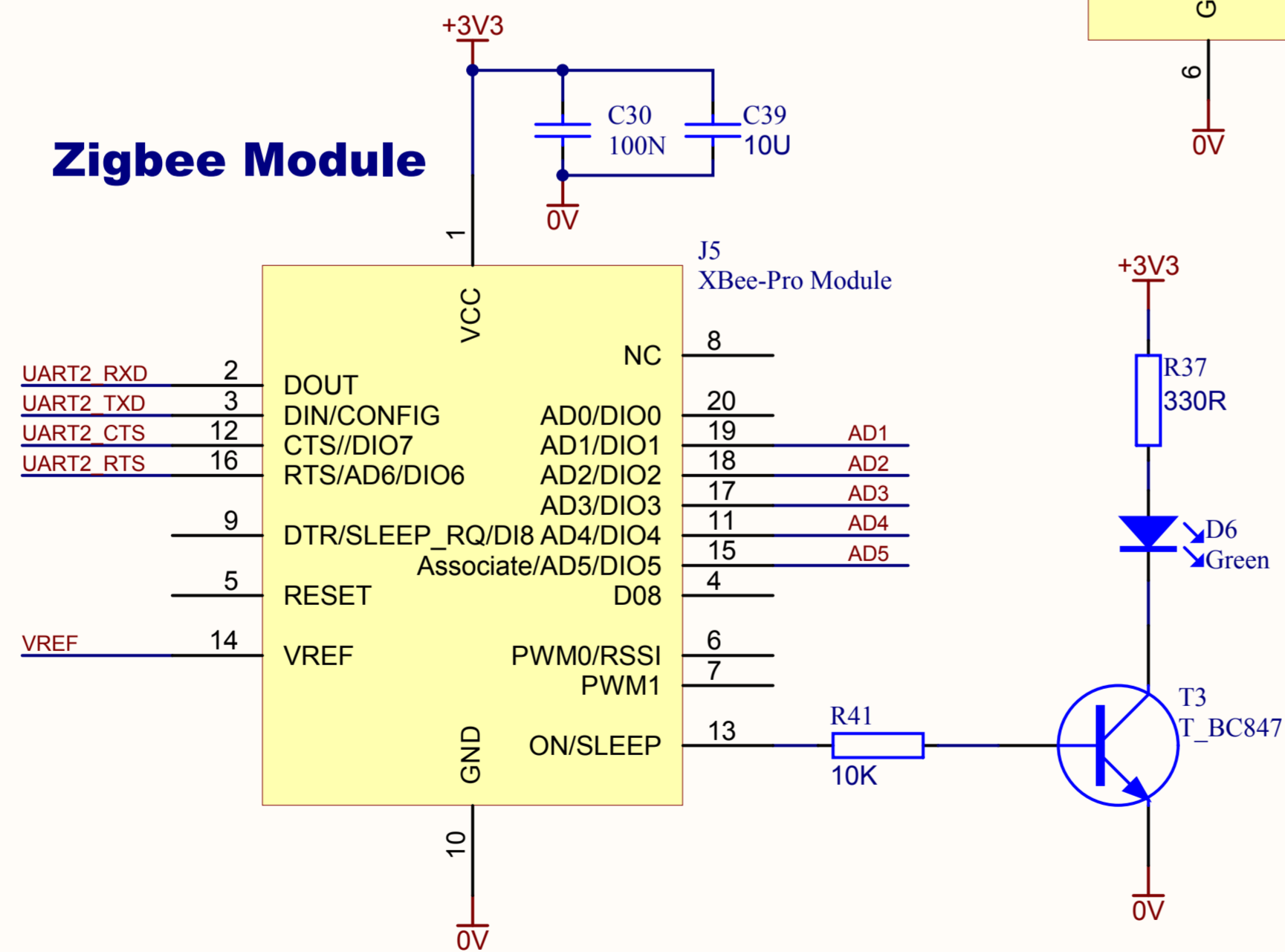
### SD Connector



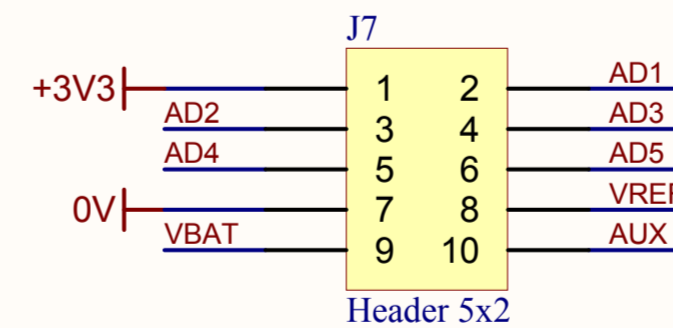
### Touch



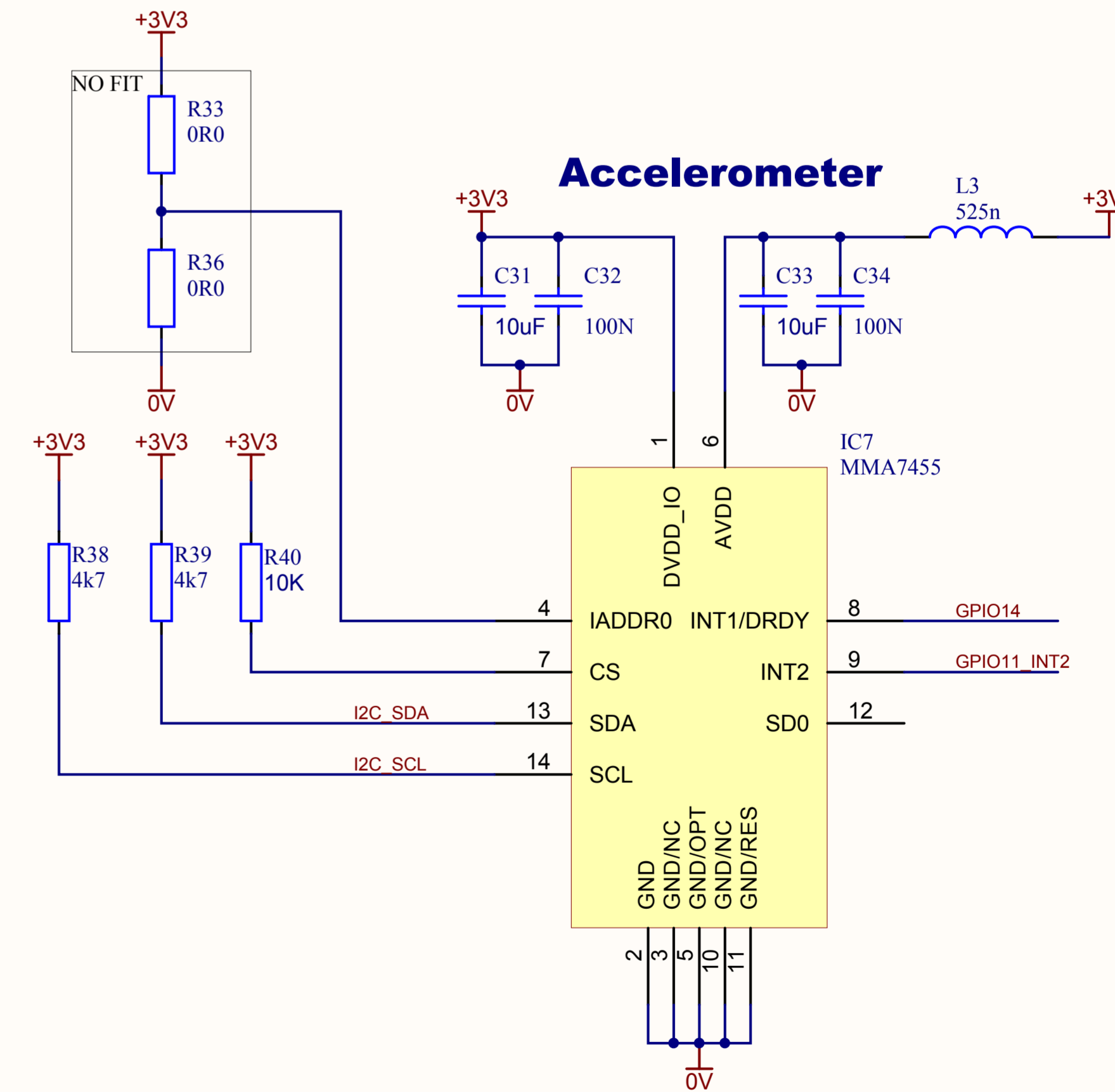
### Zigbee Module



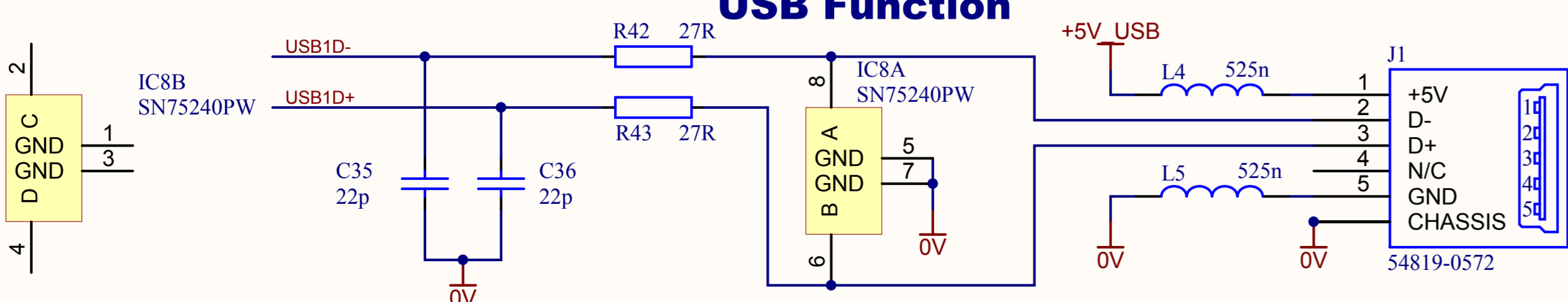
### Zigbee ADC Connector



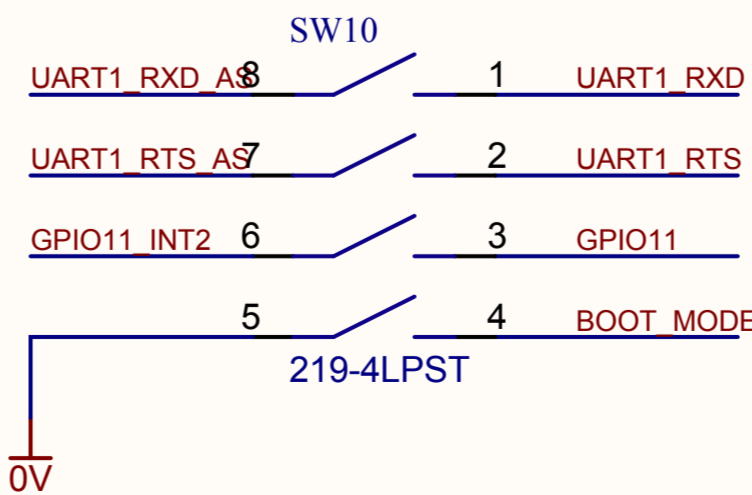
### Accelerometer



### USB Function



### DIP Switches



Title <b>Tahoe II</b>		Initial	LJS	DeviceSolutions
Num:		Drawn By:		
Size: A3		Date:	22 July 2008	POBox 132-094, Sylvia Park
Sheet 2 of 2	Revision: 1.2	Last Rev	LJS	Auckland, New Zealand
File: TahoeII_Rev1.2_IO.SchDoc		Drawn By:	22 July 2008	www.devicesolutions.net
		Date:	28/04/2009	Print Time: 9:17:40 a.m.
		Print Date:		